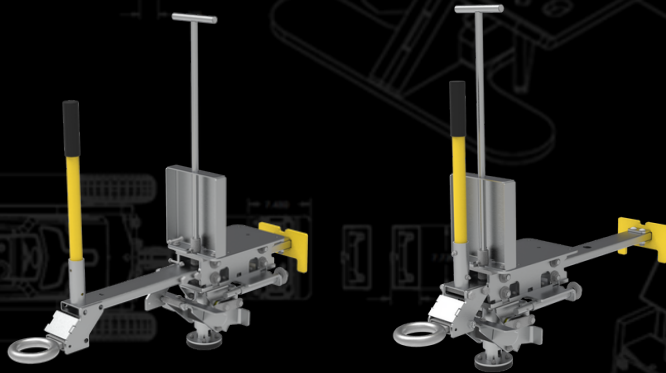


RETRACTABLE TONGUE & HITCH

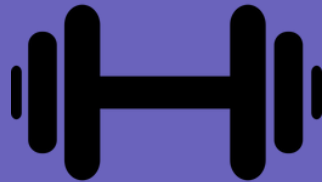


**HEAVY-DUTY
DESIGN**

Forged Lunette
Ring



**Foot Actuated
Lock/Unlock**



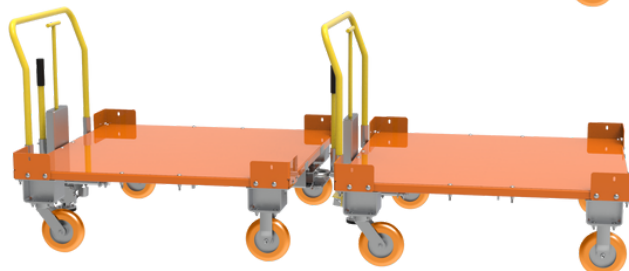
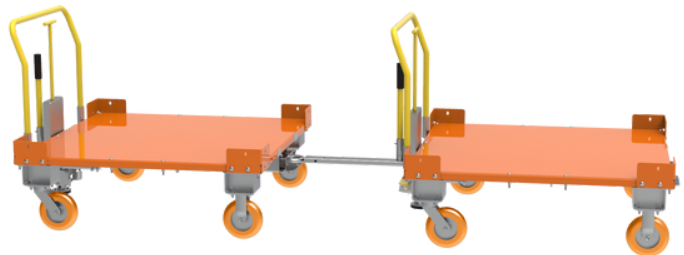
Zinc Plated Weldments



**Improved
Ergonomics**

MODEL NUMBER	900-1416
TARE WEIGHT	134 lbs
CAPACITY	10,000 lbs
EXTENDED DISTANCE BETWEEN CARTS	27.82"
RETRACTED DISTANCE BETWEEN CARTS	10.82"

Our Retractable Tongue & Hitch allows an ergonomic reach for extending or collapsing the tongue. It provides the ability to stage a train of carts in a trailer and maximize the area with collapsed tongues - they auto-extend and lock outward when being tugged.



SCAN ME