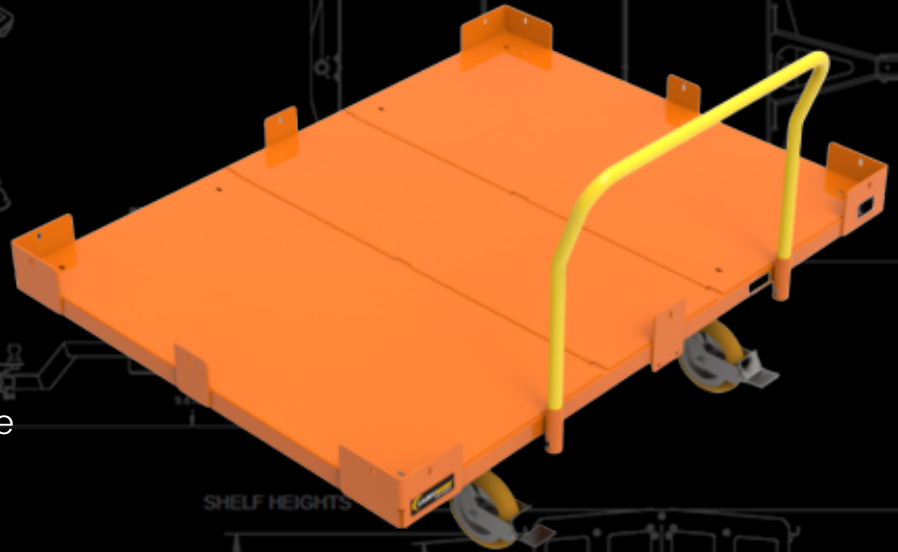




# RAFF-6650-40

## DAUGHTER CART

Center Steer Designed For  
Precision Tracking And Noise



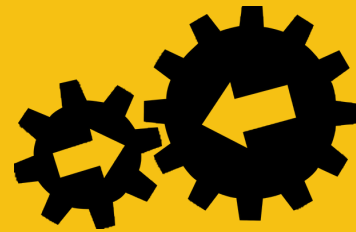
**66" x 50"**

Usable Deck Space



**4,000 LBS**

Weight Capacity



**Bi-Directional**

Functionality

MODEL NUMBER	RAFF-6650-40
TARE WEIGHT	559 lbs
CAPACITY	4,000 lbs
STEERING	Rear
ELEMATE	1.0"
HANDLE HEIGHT	43"
DECK HEIGHT	17"
CASTER PACKAGE	2 Rigid / 2 Swivel



Powder Coat Finish Options

Jtec's versatile flatbed carts are perfect for all types and sizes of dunnage. Specifically built with 11 gauge steel to accommodate standard pallet sizing and 48"x 45" knock-down container sizes.

### Additional Features Include:

- MoveMore-40 Compatible
- Removable Ergo Handle
- Powder Coat Finish
- Corner Captures
- Premium Apex Caster Package
- Alumilock Brakes



SCAN ME

