

TugBot™ Systems

**AUTONOMOUS
MATERIAL
MOVEMENT**



A faster, simpler way to upgrade to Autonomous Material Movement – With TugBot Automation

Jtec Industries delivers a turnkey, easy-to-implement automation solution for upgrading your current CarryMore tugging system while boosting efficiency, improving safety, and enhancing system flexibility. The BotBoss Supervisor System elevates performance with intelligent load management, dynamic routing, facility-wide coordination, and actionable analytics. An optional safety package, including E-stops, safety bumpers, and barrier guarding, adds an extra layer of protection. The TugBot System integrates seamlessly with CarryMore products and remains fully compatible with any tongue and hitch tuggable cart, providing maximum flexibility across your entire material handling operation.



SCAN TO

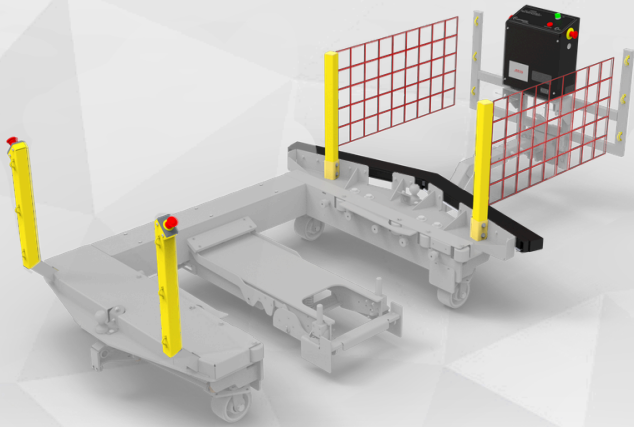


LEARN MORE

MADE IN



USA



Optional Safety System Components – Standard:

- AGV-mounted panel for safety controls
- Safety bumpers mounted to front of cart
- E-stop button pedestals (2) per cart
- Elastic barrier nets between carts
- Configurable to fit your application requirements

Take the next step toward safer, smarter, scalable automation—

BEYOND the CarryMore System, TugBot works with any tongue-and-hitch cart trains, for capacities up to 44,000 lbs. We work with you every step of the way to develop an autonomous logistics initiative, with goals and equipment tailored to your facility's projects and requirements. Contact Jtec Industries to help you design the right autonomous logistics plan for your operation.

Navigation By
BLUEBOTICS

**FAST AND RELIABLE
COMMISSIONING OF ROUTES**

**24
YEARS**

**NATURAL FEATURE
NAVIGATION**

**VDA 5050
COMPLIANT**

Partnered With
MasterMover®



***Other BlueBotics AGV Providers**

