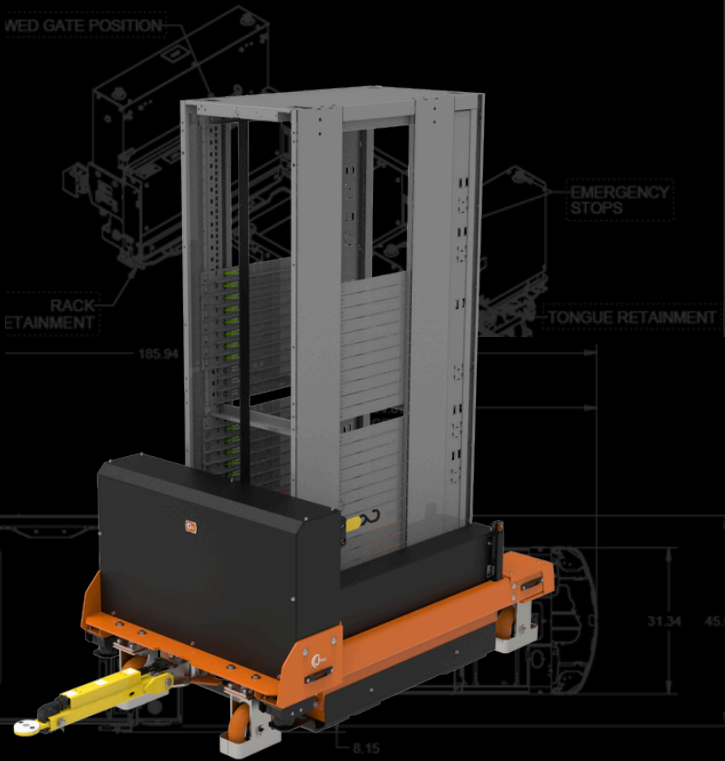




# ADLS-2448-40

## REAR LOAD SERVER CART

ORV2, ORV3, & ORV3-HPR  
SERVER RACK COMPATIBLE



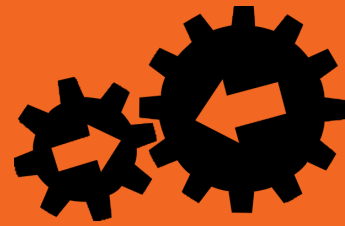
**COMPATIBLE**

ORV2, ORV3, & ORV3-HPR



**4,000 LBS**

Weight Capacity



**AMR**

Compatible

|                          |              |
|--------------------------|--------------|
| MODEL NUMBER             | ADLS-2448-40 |
| TARE WEIGHT              | 1,707 lbs    |
| CAPACITY PER BAY         | 4,000 lbs    |
| PRODUCT LIFT             | 1"           |
| LIFT BAY WIDTH           | 24.25"       |
| LIFT BAY DEPTH           | 53.75"       |
| OVERALL WIDTH            | 43.88"       |
| OVERALL LENGTH w/ TONGUE | 96.32"       |

**ADLS-2448-40 (Auto, Data, Lift, Single Bay- 24" x 42" - 4,000 lbs).** Designed with an electric lift mechanism, this cart elevates your servers off the ground for seamless mobility while ensuring maximum stability. It's equipped with load present and rack position sensors. Engineered with a robust mechanical steering system and dual steering capability, it provides effortless maneuverability in tight spaces. Safety is at the forefront: the cart features light indicators, two emergency stop buttons, and advanced safety laser scanners to ensure a secure environment. A motion prevention interlock circuit and safety switch on the lift packs prevent movement while servers are lowered, adding another layer of protection. The rack retainment latches and retaining strap secure your valuable equipment during transport. With a weight capacity of 1800 kg and a tare weight of 1707 lbs, this server rack cart is built for heavy-duty operations while prioritizing user safety and equipment security.

