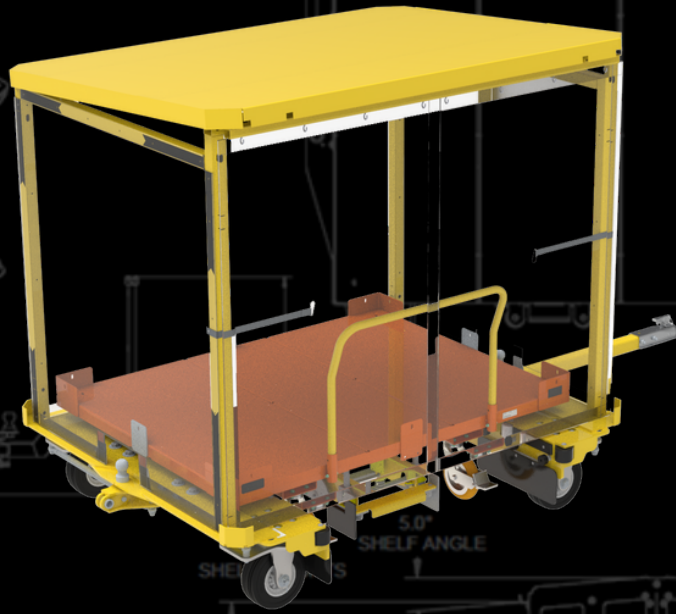




TQSA-40-O

OUTDOOR MOTHER CART

Quad-Steer Designed For Precision Tracking



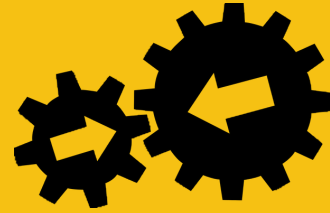
65" x 78"

Largest Recommended Cart



4,000 LBS

Weight Capacity



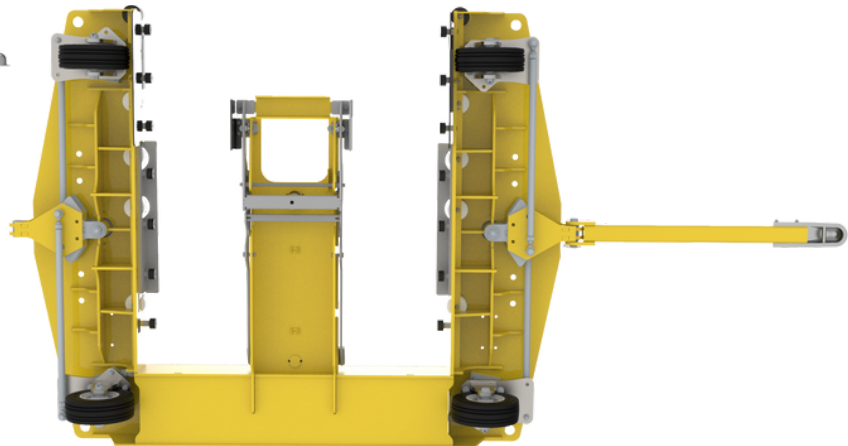
"A"

CarryMore Compatible

MODEL NUMBER	TQSA-40-O
TARE WEIGHT	1,648 lbs
CAPACITY	4,000 lbs
STEERING	Quad-Steer
ELEMATE	1.0"
DECK HEIGHT	17.4"
DECK WIDTH	65"
DECK LENGTH	78"

Our "A" size Outdoor Mother Cart, using Elemate 1.0, carries Daughter Carts up to 64" wide with superior tracking. The premium rubber casters allow for seamless transportation from facility to facility. The custom enclosure enables customers to transport material outdoors while protecting it from the elements.

Other features include a quick-change reusable tongue allowing the cart to be pulled in either direction with a standard 2" ball coupler latching system.



SCAN ME