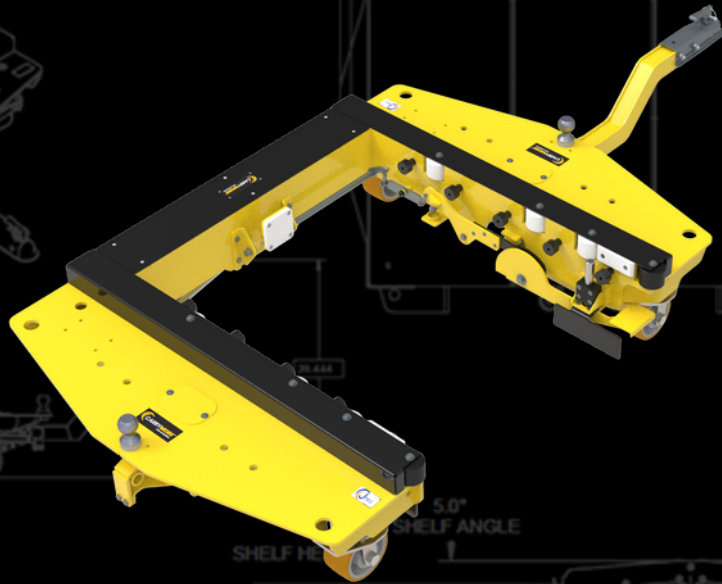




# TQSB-30

## MOTHER CART

Quad-Steer Designed For Precision Tracking



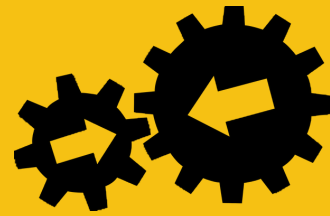
**54" x 47"**

**Largest Recommended Cart**



**3,000 LBS**

**Weight Capacity**



**"B"**

**CarryMore Compatible**

MODEL NUMBER	TQSB-30
TARE WEIGHT	585 lbs
CAPACITY	3,000 lbs
STEERING	Quad-Steer
ELEMATE	1.0"
MAX SLOPE	< 9%
DECK HEIGHT	15"
DECK WIDTH	47"
DECK LENGTH	54"
MAX SPEED	5 MPH
MAX TRAIN WEIGHT	10,000 lbs

This "B" size Mother Cart, using Elemate 1.0, carries Daughter Carts up to 54" with superior tracking.

Other features include a quick-change reusable tongue allowing the cart to be pulled in either direction with a standard 2" ball coupler latching system.

Compatible Daughter Carts include:

- RBFF-3332-30
- RBFF-5050-30
- RBKC-3933-30
- RBKC-3333-30

