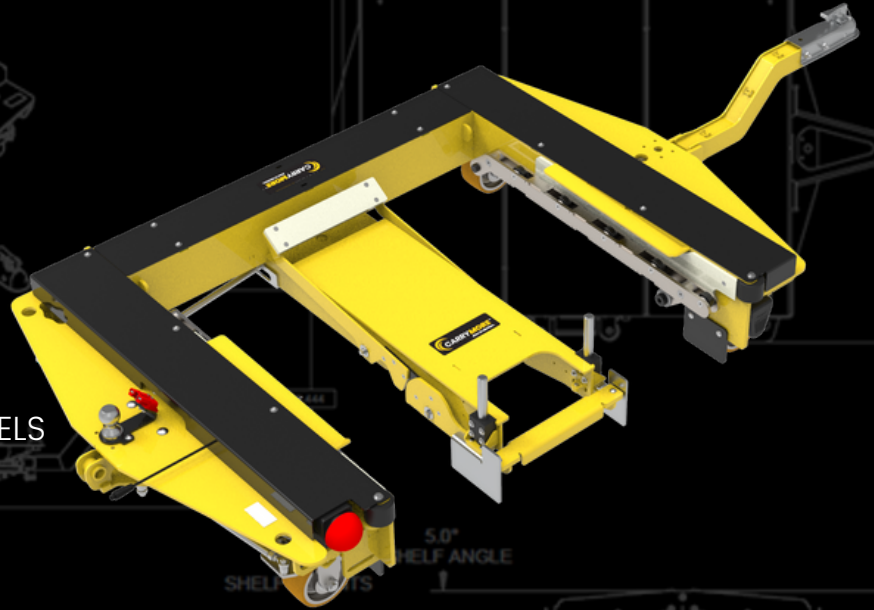


TQSA-25-E

MOTHER CART

ELECTRIC LIFT ALLOWS WHEELS TO LOAD ON THE GROUND



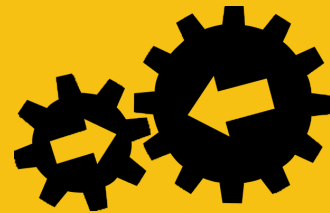
66" x 50"

Largest Recommended Cart



2,500 LBS

Weight Capacity



"A"

CarryMore Compatible

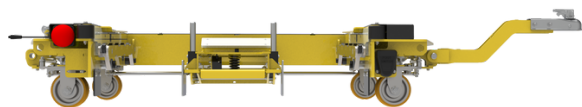
MODEL NUMBER	TQSA-25-E
TARE WEIGHT	923 lbs
CAPACITY	2,500 lbs
STEERING	Quad-Steer
ELEMATE	3.0"
MAX SLOPE	<9.5%
DECK HEIGHT	14"
DECK WIDTH	50"
DECK LENGTH	66"
MAX SPEED	5 MPH
MAX TRAIN WEIGHT	10,000 lbs

Our most popular "A" size Mother Carts, using Elemate 3.0, Electric Lift allows the Daughter Cart to load with wheels on the ground. With a foot operated switch the cart is lifted 1" off the ground for transit. Unloading is just like all CarryMore system Mother Carts by releasing the dual pin center latch with gravity assist off-load.

Other features include a quick-change reusable tongue allowing the cart to be pulled in either direction with a standard 2" ball coupler latching system.

Compatible Daughter Carts include:

- RAFF-5050-40
- RAFF-5050-40-MBD
- RATT-5050-25
- RAKC-3933-25
- RARC-5050-20
- RAOU-3230-15
- RARH-1.ICU-10



SCAN ME

