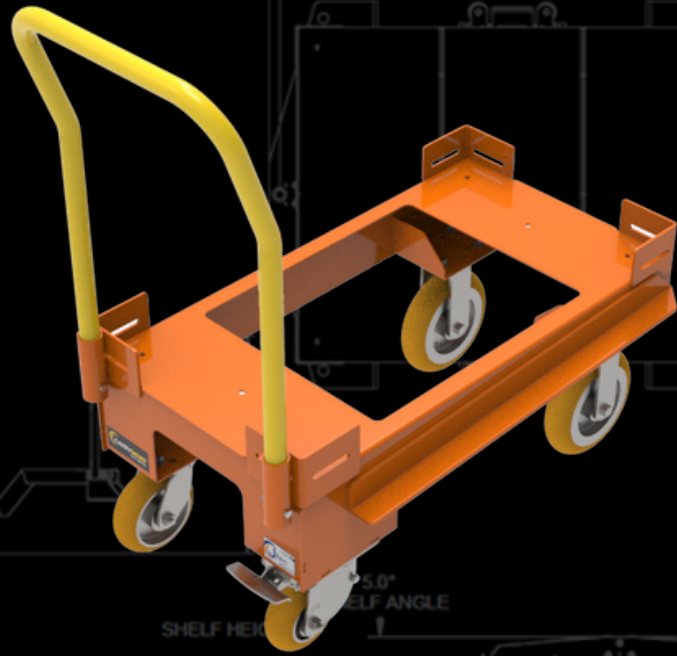




RCFO-1833-10

DAUGHTER CART

Open Deck Style
Compatible With
CarryMore System "C"



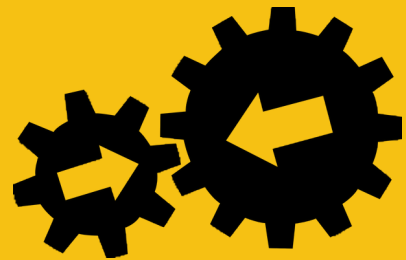
18" x 33"

Usable Deck Space



1,000 LBS

Weight Capacity



"C"

Carrymore Compatible

MODEL NUMBER	RCFO-1833-10
TARE WEIGHT	82 lbs
CAPACITY	1,000 lbs
STEERING	Rear
ELEMATE	1.0"
HANDLE	38"
DECK HEIGHT	17"
CASTER PACKAGE	2 rigid/2 swivel



Powder Coat Finish Options

Jtec's versatile open deck carts are perfect for all types and sizes of dunnage. Specifically built with 11 gauge steel to accommodate standard pallet sizing and 48"x 45" knock-down container sizes.

Additional Features Include:

- MoveMore-40 Compatible
- Removable Ergo Handle
- Powder Coat Finish
- Corner Captures
- Premium Apex Caster Package
- Alumilock Brakes



SCAN ME

