

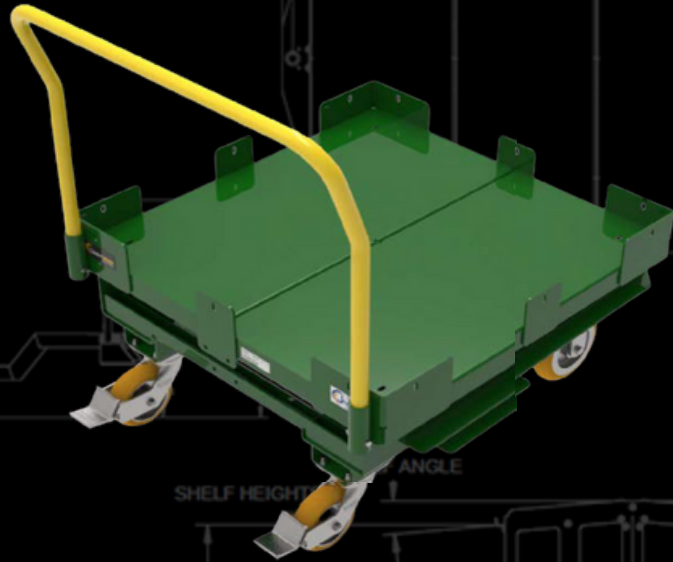


# RBFF-3434-25



## DAUGHTER CART

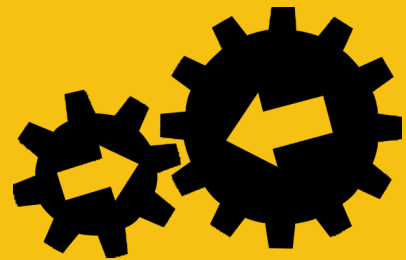
Flatbed Style for Smaller  
Knock-Down Containers



**34" x 34"**  
Usable Deck Space



**2,500 LBS**  
Weight Capacity



**"B"**  
Carrymore Compatible

MODEL NUMBER	RAFF-6650-40
TARE WEIGHT	211 lbs
CAPACITY	2,500 lbs
ELEMATE	1.0"
HANDLE	42"
DECK HEIGHT	17"
CASTER PACKAGE	2 rigid/2 swivel

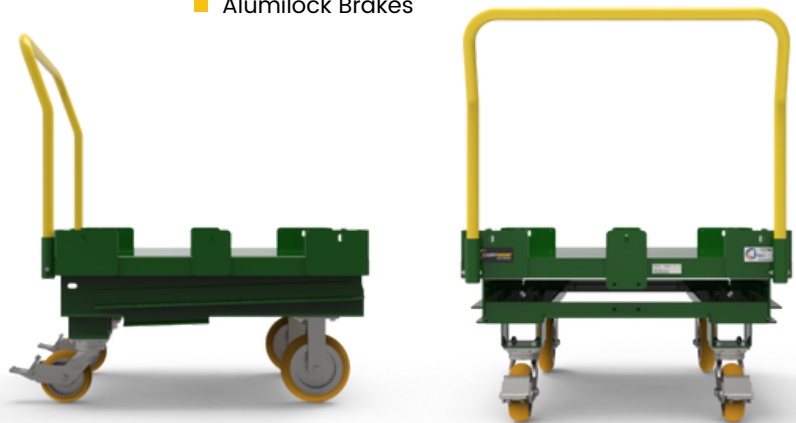


Powder Coat Finish Options

Jtec's versatile flatbed carts are perfect for all types and sizes of dunnage. Specifically built with 11 gauge steel, this cart accommodates smaller knockdown containers.

### Additional Features Include:

- MoveMore-40 Compatible
- Removable Ergo Handle
- Powder Coat Finish
- Corner Captures
- Premium Apex Caster Package
- Alumilock Brakes



SCAN ME